



CONTACT

Quality Leader in
Truck Attachments

- Drum handlers
- Self powered attachments
- Lifting devices and booms
- Wide load handling
- Recycling containers
- Premises cleaning
- Fall prevention cages
- Truck forks



Contact Attachments
 Mochdre Industrial Estate
 Newtown
 Powys
 SY16 4LE

tel : 01686 611200
 fax : 01686 611201

Fork Mounted Drum Positioner

The ideal drum handler to choose for manipulating drums from the horizontal to the vertical position.



Use :-

A unique means of manipulating drums from horizontal to vertical and vice-versa without leaving the seat of their fork truck. Completely mechanical in operating, it can be used for transporting drums and for unloading and loading vehicles, drum stands, drum racks etc. Suitable for use with steel, 'L' and 'XL' plastic drums of 210 litre capacity.

Model Ref.	Capacity	No. of Drums	Drum Types	'A' Pocket Length	'B' Fork Spread	'C' Fork Width	'D' Fork Thickness
FDP-1	400 kg	1	1,2	900 mm	567 mm	140 mm	60 mm
FDPF-1	400 kg	1	1,2	900 mm	567 mm	140 mm	60 mm
FDP-2	800 kg	2	1,2	900 mm	567 mm	140 mm	60 mm
FDPF-2	800 kg	2	1,2	900 mm	567 mm	140 mm	60 mm

Ordering Information:-

Truck Capacity?
 Fork width and thickness?
 Max fork spread?
 Drum type?
 Drum weight?
 Drum Diameter?

Drum Types



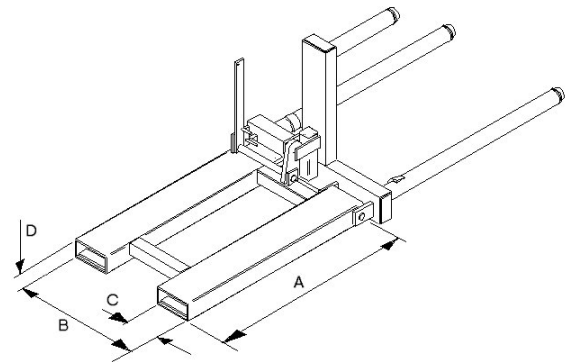
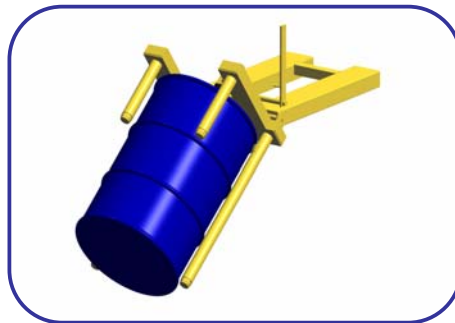
Type 1, Steel



Type 2, L Ring

Model Ref.	Weight	LLC*	C of G
FDP-1	95 Kg	165	770 mm
FDPF-1	106 Kg	165	850mm
FDP-2	145 Kg	165	1080 mm
FDPF-2	167Kg	165	1250 mm

* Lost load center is measured from the tip of the fork.



Operation:-

To pick up drums standing upright lower the attachment onto the ground so that the tines are supported. Pulling on the steel cord to withdraw the latch, gently raise the forks until the tines are clear of the ground and hanging vertically. Approach the drum and lower the tines over it. Reverse the truck slowly, at the same time gently lowering the forks until the drum rests on the ground in the horizontal position. The tines will automatically lock in this position. The drum can now be lifted, transported and loaded horizontally into a drum stand or rack.

To re-position a drum from horizontal to vertical the drum should be moved into the required position and lowered to the ground. Pulling on the steel cord to release the latch, the forks are slowly raised whilst the truck is moved gently forwards. This will raise the drum into the vertical position.

www.forklift-attachments.co.uk
 email : sales@forklift-attachments.co.uk

Freephone
0800
028 3332
 Call now for your personal
 quote and further info

